

ORDERING INFORMATION

Order code: 63774
 Description: LED/WP/18W/40K/120V/BRZ/PC/STD
 UPC: 69549637740
 Case quantity: 12



FEATURES AND SPECIFICATIONS

Dusk to dawn photocell included automatically controlling when the light is turned on and off.
 IP65 - suitable for wet locations that receive direct contact with rain, snow or other moisture.
 Driver reliability in the coldest of temperatures (starting temperature rated to -30° C)
 High quality LED chips ensure total efficiency

Heat sink material: Diecast aluminum
 Lens material: Polycarbonate
 Operating temperature: - 30 °C / - 22 °F to 40 °C / 104 °F



FIXTURE PERFORMANCE

Wattage (W): 18
 Input Voltage (V): 120
 Color temperature (K): 4 000
 Lumens (lm): 1 746
 Efficacy(LPW): 97
 CRI: 83
 L70 hours: 50 000
 IP rating: 65
 Surge protection (kV): 10
 Housing finish: Bronze
 Photocell included: Yes

The attached data is provided to assist users in making lighting decisions based on various assumptions, factors and methods. Resources and efforts have been put in place to account for the data and the development of this tool however STANDARD does not warrant or guarantee that the results obtained will be accurate under actual use conditions. A lighting layout is recommend to ensure the proper light levels are attained to satisfy the demand of the application. Data is based upon tests performed in a controlled environment and representative of relative performance. Actual performance can vary depending on operating conditions. Specifications are subject to change without notice.

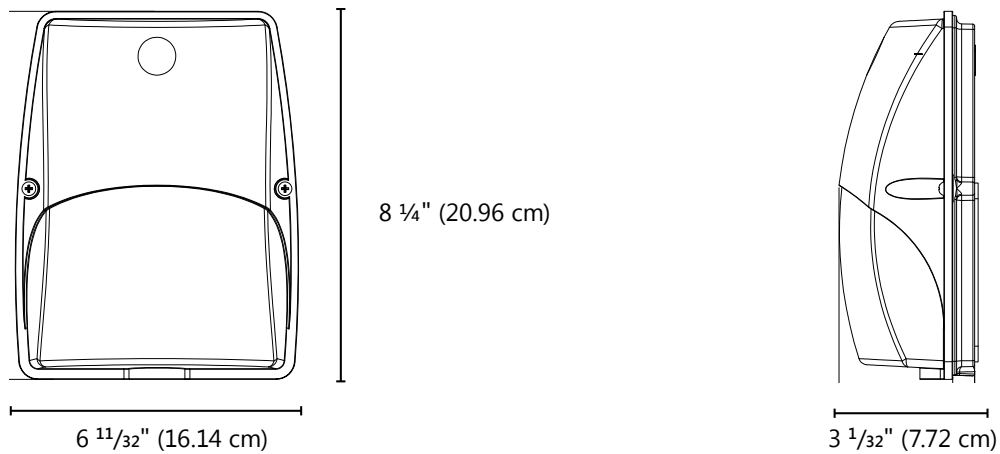
ORDERING INFORMATION

Order code: 63774
 Description: LED/WP/18W/40K/120V/BRZ/PC/STD
 UPC: 69549637740
 Case quantity: 12

DIMENSIONS

Length: 6 ¹¹/₃₂" (16.14 cm)
 Width: 3 ¹/₃₂" (7.72 cm)
 Height: 8 ¹/₄" (20.96 cm)

TECHNICAL DRAWINGS



WARNINGS

- Installation and maintenance must be performed by licensed electricians only.
- To avoid risk of electric shock, make sure to turn off main power switch prior to installation or maintenance.
- Must be installed in compliance with Canadian Electrical Code in Canada or National Electrical Code (NEC) in the US.
- Make sure input voltage and frequency are compatible with the fixture. Check installation guide for power requirements prior to installation.

The attached data is provided to assist users in making lighting decisions based on various assumptions, factors and methods. Resources and efforts have been put in place to account for the data and the development of this tool however STANDARD does not warrant or guarantee that the results obtained will be accurate under actual use conditions. A lighting layout is recommend to ensure the proper light levels are attained to satisfy the demand of the application. Data is based upon tests performed in a controlled environment and representative of relative performance. Actual performance can vary depending on operating conditions. Specifications are subject to change without notice.

