

Lighting Components Series

Button Control



P18100, P18102



- Control Passage & Doorway Lighting Automatically For Ambient Lighting
- Rain Tight For Outdoor Use
- 12" Leads
- Thermal Switch
- Polycarbonate Enclosure & Eye
- 1/2" CdS Photocell
- 3/8" - 19 Thread Nipple with Rubber Gasket & Plastic Lock-Nut
- **On-Off Levels:** 10-20Lx On(Dusk); 30-60Lx Off(Dawn)
- **Ambient Temp:** -40°F ~ +158°F
- **Relative Humidity:** 96%
- **Power Consumption:** 1.5VA Maximum
- **Electrical Life:** 6500 Cycles
- **Ballast:** 850VA
- **Tungsten:** 500W

QSSI

Phone: (813) 855-9416

Fax: (813) 854-2915

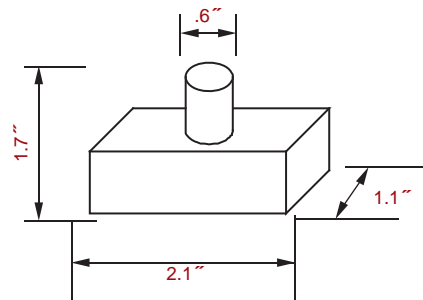
Email: sales@qssi.com



Catalog #	Type	Voltage	Rating	Leads	IP/MC
P18100	Button	110-130V	120VAC	12" AWG#18 AWM1015	250
P18102	Button	240-277V	240VAC	12" AWG#18 AWM1015	250

LC

Dimensions



P18100, P18102

LC-1