

TECHNICAL INFORMATION BULLETIN ELECTRONIC LINEAR FLUORESCENT BALLAST PROGRAM START T5

ORDERING INFORMATION

Order code: 58915
Description: E454T5PS120-277/N/HO/XTRM
UPC: 69549589155
Warranty: 3 years

GENERAL INFORMATION

Ballast type: Electronic
Starting method: Program Start
Lamp connection: Series
Input voltage: 120-277V
Input frequency: 60HZ
Max. case temp.: 90 °C
Status: Active
Safety approval: 58915STD



SPECIFICATIONS AT 120V

Lamp type	Number of lamps	Rated lamp watts	Min. start temp. (°F / °C)	Input current (A)	Input power (ANSI watts)	Ballast factor	Max THD %	Power factor	Max. lamp current crest factor	B.E.F.
F54WT5HO	4	54	-22/-30	0.82	236	1.00	10	0.98	1.7	0.42
F54WT5HO	3	54	-22/-30	0.64	178	1.05	10	0.98	1.7	0.59
F54WT5HO	2	54	-22/-30	0.43	118	1.00	10	0.98	1.7	0.85
F54WT5HO	1	54	-22/-30	0.23	63	1.02	15	0.97	1.7	1.62
F58WT8	4	58	-22/-30	1.96	235	0.99	10	0.99	1.7	0.42
F58WT8	3	58	-22/-30	1.50	180	1.00	10	0.98	1.7	0.56
F58WT8	2	58	-22/-30	0.98	117	0.99	10	0.99	1.7	0.85
F58WT8	1	58	-22/-30	0.52	62	1.00	10	0.98	1.7	1.61
F54WT5HO-ES	4	49	-22/-30	0.80	222	1.00	10	0.99	1.7	0.45
F54WT5HO-ES	3	49	-22/-30	0.60	166	1.05	10	0.99	1.7	0.63
F54WT5HO-ES	2	49	-22/-30	0.40	112	1.00	10	0.99	1.7	0.89
F54WT5HO-ES	1	49	-22/-30	0.21	58	1.02	15	0.99	1.7	1.76
55W TTL	4	55	-22/-30	0.80	226	0.92	15	0.98	1.7	0.41
55W TTL	3	55	-22/-30	0.56	156	0.95	15	0.98	1.7	0.61
55W TTL	2	55	-22/-30	0.40	113	0.92	15	0.98	1.7	0.81
55W TTL	1	55	-22/-30	0.21	59	0.95	20	0.97	1.7	1.61
F39WT5	4	39	-22/-30	0.66	184	1.02	15	0.97	1.7	0.55
50W TTL	4	50	-22/-30	0.80	224	1.08	10	0.98	1.7	0.48
50W TTL	3	50	-22/-30	0.62	171	1.05	10	0.99	1.7	0.61
50W TTL	2	50	-22/-30	0.40	112	1.08	10	0.98	1.7	0.96
50W TTL	1	50	-22/-30	0.21	59	1.10	15	0.97	1.7	1.86



TECHNICAL INFORMATION BULLETIN

ELECTRONIC LINEAR FLUORESCENT BALLAST

PROGRAM START T5

SPECIFICATIONS AT 230V

Lamp type	Number of lamps	Rated lamp watts	Min. start temp. (°F / °C)	Input current (A)	Input power (ANSI watts)	Ballast factor	Max THD %	Power factor	Max. lamp current crest factor	B.E.F.
F54WT5HO	4	54	-22/-30	1.02	234	0.99	10	0.99	1.7	0.42
F54WT5HO	3	54	-22/-30	0.77	178	1.05	10	0.98	1.7	0.59
F54WT5HO	2	54	-22/-30	0.51	117	0.99	10	0.99	1.7	0.85
F54WT5HO	1	54	-22/-30	0.27	62	1.00	15	0.98	1.7	1.61
F58WT8	4	58	-22/-30	1.03	236	0.99	10	0.99	1.7	0.42
F58WT8	3	58	-22/-30	0.79	181	1.00	10	0.98	1.7	0.55
F58WT8	2	58	-22/-30	0.51	118	0.99	10	0.99	1.7	0.84
F58WT8	1	58	-22/-30	0.27	63	1.00	10	0.98	1.7	1.59
F54WT5HO-ES	4	49	-22/-30	0.96	220	0.99	10	0.99	1.7	0.45
F54WT5HO-ES	3	49	-22/-30	0.72	166	1.05	10	0.99	1.7	0.63
F54WT5HO-ES	2	49	-22/-30	0.49	112	0.99	10	0.99	1.7	0.88
F54WT5HO-ES	1	49	-22/-30	0.25	57	1.00	15	0.99	1.7	1.75
55W TTL	4	55	-22/-30	0.96	222	0.90	15	0.98	1.7	0.41
55W TTL	3	55	-22/-30	0.68	156	0.95	15	0.98	1.7	0.61
55W TTL	2	55	-22/-30	0.48	111	0.90	15	0.98	1.7	0.81
55W TTL	1	55	-22/-30	0.25	58	0.92	15	0.98	1.7	1.59
F39WT5	4	39	-22/-30	0.80	184	1.00	10	0.98	1.7	0.54
50W TTL	4	50	-22/-30	0.96	222	1.06	10	0.99	1.7	0.48
50W TTL	3	50	-22/-30	0.75	171	1.05	10	0.99	1.7	0.61
50W TTL	2	50	-22/-30	0.48	111	1.06	10	0.99	1.7	0.95
50W TTL	1	50	-22/-30	0.25	58	1.08	15	0.98	1.7	1.86


www.standardpro.com

TECHNICAL INFORMATION BULLETIN

ELECTRONIC LINEAR FLUORESCENT BALLAST

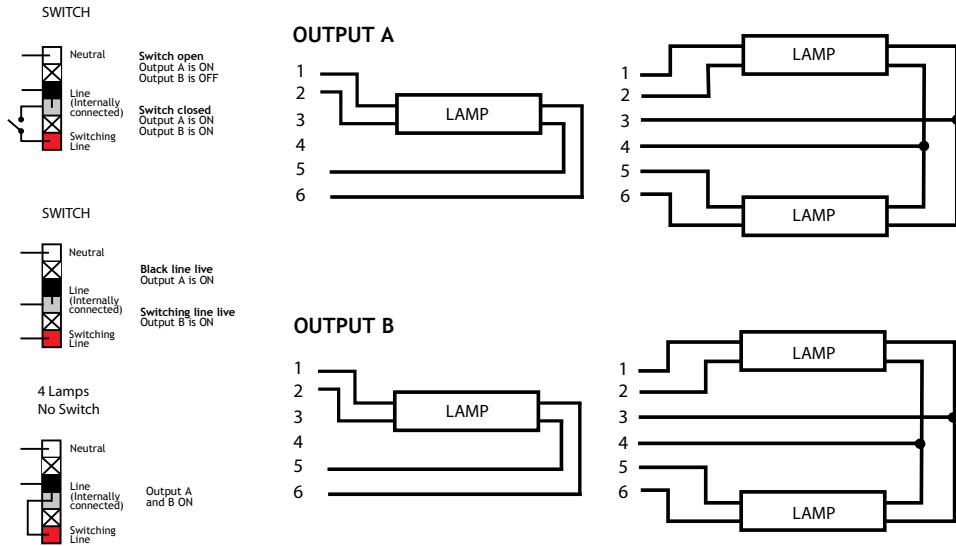
PROGRAM START T5

SPECIFICATIONS AT 277V

Lamp type	Number of lamps	Rated lamp watts	Min. start temp. (°F / °C)	Input current (A)	Input power (ANSI watts)	Ballast factor	Max THD %	Power factor	Max. lamp current crest factor	B.E.F.
F54WT5HO	4	54	-22/-30	0.82	236	1.00	10	0.98	1.7	0.42
F54WT5HO	3	54	-22/-30	0.64	178	1.05	10	0.98	1.7	0.59
F54WT5HO	2	54	-22/-30	0.43	118	1.00	10	0.98	1.7	0.85
F54WT5HO	1	54	-22/-30	0.23	63	1.02	15	0.97	1.7	1.62
F58WT8	4	58	-22/-30	0.86	237	0.99	10	0.99	1.7	0.42
F58WT8	3	58	-22/-30	0.65	181	1.00	10	0.98	1.7	0.55
F58WT8	2	58	-22/-30	0.43	119	0.99	10	0.99	1.7	0.83
F58WT8	1	58	-22/-30	0.23	63	1.00	10	0.98	1.7	1.59
F54WT5HO-ES	4	49	-22/-30	0.80	222	1.00	10	0.99	1.7	0.45
F54WT5HO-ES	3	49	-22/-30	0.60	166	1.05	10	0.99	1.7	0.63
F54WT5HO-ES	2	49	-22/-30	0.40	112	1.00	10	0.99	1.7	0.89
F54WT5HO-ES	1	49	-22/-30	0.21	58	1.02	15	0.99	1.7	1.76
55W TTL	4	55	-22/-30	0.80	226	0.92	15	0.98	1.7	0.41
55W TTL	3	55	-22/-30	0.56	156	0.95	15	0.98	1.7	0.61
55W TTL	2	55	-22/-30	0.40	113	0.92	15	0.98	1.7	0.81
55W TTL	1	55	-22/-30	0.21	59	0.95	20	0.97	1.7	1.61
F39WT5	4	39	-22/-30	0.66	184	1.02	15	0.97	1.7	0.55
50W TTL	4	50	-22/-30	0.80	224	1.08	10	0.98	1.7	0.48
50W TTL	3	50	-22/-30	0.62	171	1.05	10	0.99	1.7	0.61
50W TTL	2	50	-22/-30	0.40	112	1.08	10	0.98	1.7	0.96
50W TTL	1	50	-22/-30	0.21	59	1.10	15	0.97	1.7	1.86

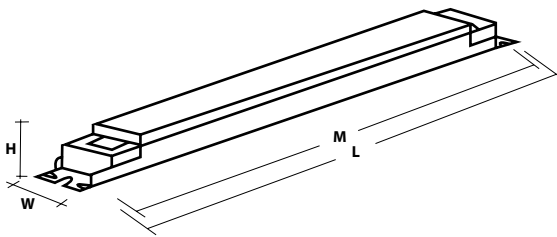
TECHNICAL INFORMATION BULLETIN ELECTRONIC LINEAR FLUORESCENT BALLAST PROGRAM START T5

WIRING DIAGRAM



BALLAST FEATURES

Length (L)	Width (W)	Height (H)	Mounting (M)
32.5 cm	6.4 cm	3 cm	31.7 cm
12.8 in	2.52 in	1.18 in	12.5 in



WARRANTY:

Ballast warranty of 5 years for electronic ballast 75 °C. Ballast warranty of 3 years for electronic ballast 90 °C. For more information visit our website.

Data is based upon tests performed in a controlled environment and representative of relative performance. Actual performance can vary depending on operating conditions. Specifications are subject to change without notice.



www.standardpro.com