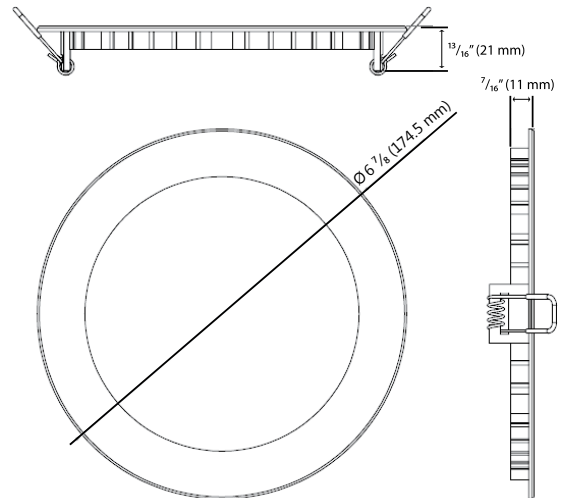
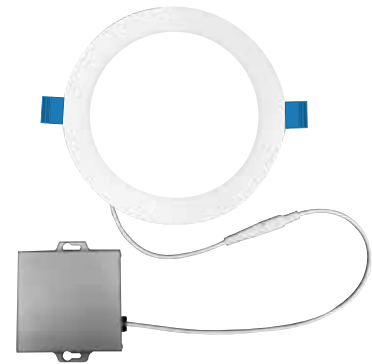


ORDERING INFORMATION

Order code: 63867
 Description: LPDL6/RND/12W/40K/WH/STD
 UPC: 69549638679
 Case quantity: 24

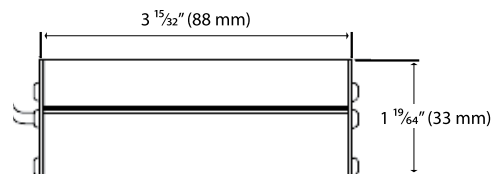
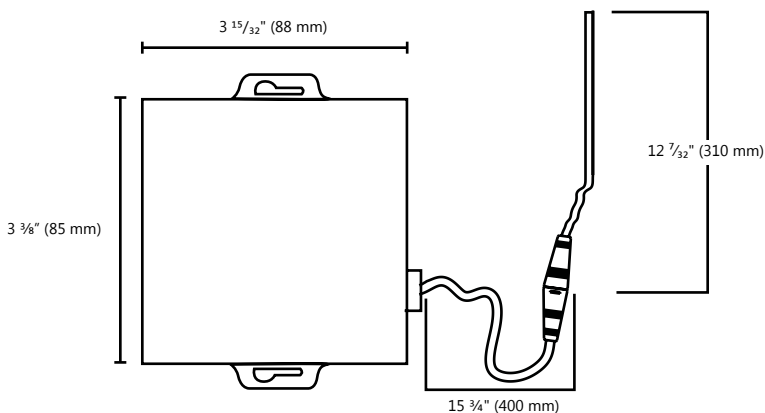
PERFORMANCE DATA

| | |
|---------------------------------|---|
| Shape: | Round |
| Size and type: | LED Low Profile Downlight 6" |
| Lens type: | Acrylic |
| Lens finish: | Frosted |
| Hole cutting: | 6 ³ / ₁₆ in (157 mm) |
| Finish colour: | White |
| Size: | 6 ⁷ / ₈ in (174.5 mm) |
| Wattage (W): | 12 |
| Voltage (VAC): | 120 |
| Beam angle: | 120° |
| IP Rating: | 42 |
| THD: | 40% |
| Power factor: | >0.9 |
| CBCP: | 341 |
| CRI: | 80 |
| Color temperature (K)**: | 4 000 |
| Average life (hours): | 40 000 |
| Initial lumens (lm)*: | 820 |
| Initial lumens per watt (lm/W): | 67 |
| Operating temperature range: | - 20 °C / - 4 °F to 45 °C / 113 °F |



*Initial lumens range: +/- 5 %

**Typical colour temperature range: +/- 5 %

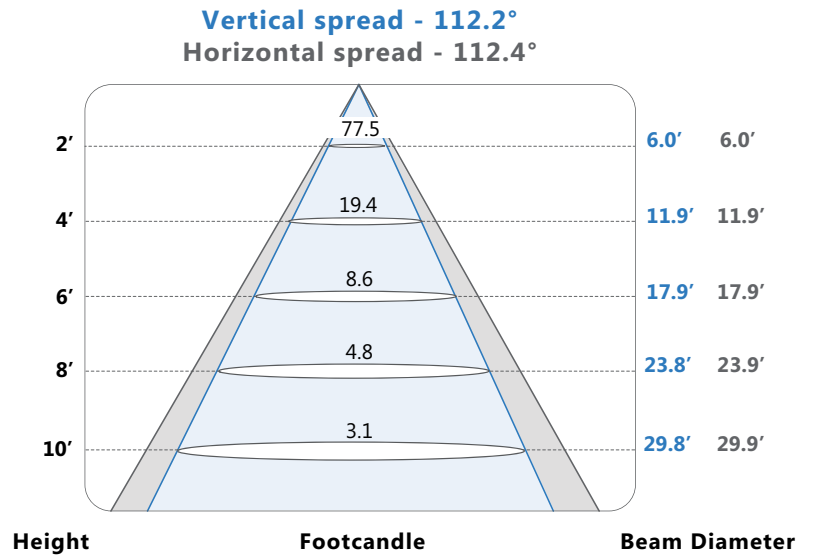
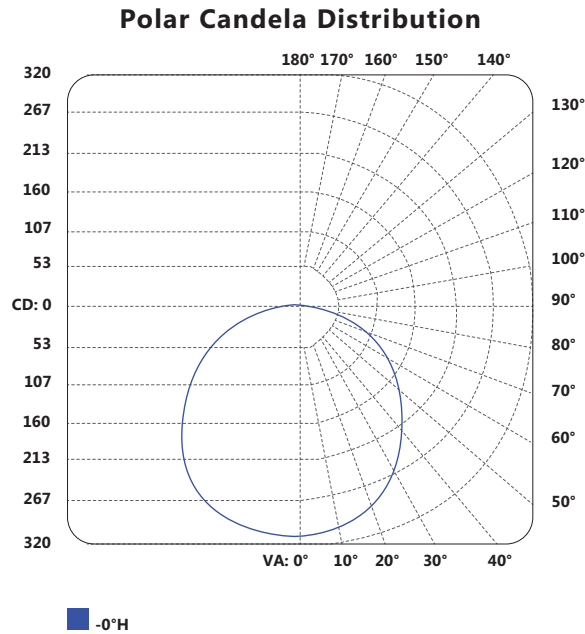


For a complete list of ENERGY STAR qualified products, please visit www.standardpro.com

Data is based upon tests performed in a controlled environment and representative of relative performance. Actual performance can vary depending on operating conditions. Specifications are subject to change without notice.

December 2, 2015

PHOTOMETRY



COMPATIBLE DIMMER LIST

| | |
|----------|---|
| Brand: | Model |
| Legrand: | H703PTUW, HCL453P |
| Cooper: | DAL06P, SAL06P, SLC03P, AAL06 |
| Leviton: | IPL06, 6674, DSM10-1LZ |
| Lutron: | DVCL-153P, CTCL-153P, MACL-153P, AYCL-253P, DVCL-253P |

*NOTE: The above table shows dimmers that have been tested and have demonstrated proper operation under normal conditions. Each installation being unique, various factors such as load, common neutrals or other electrical products on the circuit can, in certain instances, cause variance in system performance. Read and comply to the dimmer installation instructions. Consult dimming system manufacturer for additional support in operation. Standard recommends to use dimmers designed to work with LED products. Older dimmers designed for incandescent products may cause erratic operation. Do not mix products of different wattages or types on the same dimming circuit. Some dimmers may require more than one product for stable operation. The maximum number of products is determined by the dimmer wattage rating with LEDs. Be careful, these dimmers have different ratings depending on the product type. Again, refer to the dimmer installation instructions. For example, if the dimmer rating is 150W with LED, a user may use up to sixteen (16) 9W LPDL.