

Product Specifications - Application Features

Premium-grade, recessed, lay-in direct/indirect coffered T-Bar troffer with modern styling and high visual comfort. For use with indoor applications where low-glare, high-quality and ease of installation are required. This luminaire comes with a single basket-shaped perforated metal shield with integrated metal crossblade baffle.



Product Specifications

Optical System

Basket shield is perforated with an integrated metal crossblade baffle for direct/indirect illumination and contain a translucent white opal acrylic overlay shield/baffle, which is secured in place with spring latches. Indirect reflectors are precision formed and contoured to provide soft, low-glare, indirect illumination, while maintaining high-efficiency and a wide uniform lighting distribution.

Mounting

This luminaire has been specifically designed for T-Bar applications. Holes provided for chain-mounting support to building structure. Integral earthquake clips.

Construction

Die and brake-formed, heavy-gauge steel housing assembly. Die-formed, perforated cold rolled steel shielding. Precision-formed steel reflector.

Finish

White polyester powder painted visible surfaces.

Electrical

Rotary lampholders ensure positive lamp retention. All electrical components are CSA approved or UL listed. See product selection for optional ballasts. Sufficient knockouts are provided for connections and through wiring.

Approvals

Approved to CSA and UL standards (UL, or equivalent, marked only when specified).

Notes

Horizontal lines for notes.

Product Features

- Available with 1, 2 or 3 lamps
- Available in 2 x 2 and 2 x 4 configurations
- Translucent, opal white acrylic diffuser overlay
- Single, basket-shaped perforated metal shield with an integrated metal crossblade baffle
- Available in T5, T8 and PLL/Biax configurations

Options&Adders

- Lamps available (please specify colour temperature and wattage)
- Multi-level switching
- Dimmable ballast
- Emergency ballast
- Radio interference filter (120V - 277V)
- 2 x 2 and 2 x 4 flange kits available (see page 243)
- 20 gauge heavy-duty construction
- Flexible metal whip - 6 foot x 3/18 gauge conductors
- Modular wiring system (consult factory)

Applications

- Classrooms
- Corridors
- Office Areas
- Retail Stores & Supermarkets

ARCHITECTURAL LIGHTING

*Certain features and configurations may not be available. Consult the factory for more information.

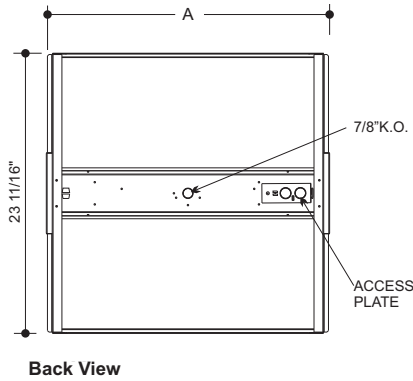
TDCB - Troffer Dish Centre Baffle

Premium-Grade Recessed Direct/Indirect Centre Baffle T-Bar Luminaire

Photometrics - Please consult www.viscor.com for photometric results.

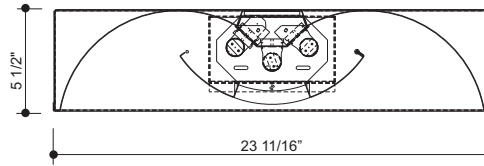
ProductDetails

Dimensions



Back View

MODEL	NOMINAL LENGTH	A
2x2	24"	23 3/4"
2x4	48"	47 3/4"



2x2/2x4

Cross Section

Ordering



Size (Width x Length)
2x2
2x4

No. of Lamps
1L
2L
3L

Lamp Type
T5
T5HO
T8
PLL

Lamp Watts
See Table below

Voltage
120 - 120V
347 - 347V
UNV - 120-277V
UN4 - 347-480V

Ballast Type
N - Instant Start
P - Prog. Start
R - Rapid Start

- Air Handling Options**
- A1 Air Supply/ Return Slots
- Ballast Options**
(See Option Code Section For More Information)
- B01 Ballast Disconnect - In-line Power Disconnect (CSA-UL Req'd For Voltages above 150v)
 - B02 Dimming Addressable Digital (dali)
 - B03 Dimming Low Voltage
 - B04 Dimming Line Voltage
 - B08 Ballast - High Ballast Factor
 - B09 Ballast - Low Ballast Factor
 - B30 Emergency Lighting Battery Pack Spec Grade
 - B33 Emergency Lighting Battery Pack 1-lamp
 - B34 Emergency Lighting Battery Pack 2-lamp

Note: For recessed drywall applications use either a 2x2 or 2x4 flange kit (page 243.)

Example:

TDCB2x42L-T5HO54PUNV-B01

Lamp Watts

Size	Nom. Lamp Watts			
	T5	T5HO	T8	PLL/Biax
2x2	14	24	17	40, 50 55
2x4	28	54	32	40, 50, 55

Wiring Options

- V09 Flexible Whip (standard 6' X 3-18 Ga.)
- V19 Modular Wiring System. (consult factory)
- V25 Radio Frequency Filter

Approval and Rating Options

- X6 USA Market
- X7 CSA and USA Market

Housing Construction Options

- C07 Housing 20 Gauge Welded
- C25 Shield Non-Perforated Matte White

Packaging Options

- K0 Bulk Pack

Fusing and Breaker Options (select one only)

- T5 Fuseholder, In-line Double Pole
- T6 Fuseholder, In-line Single Pole

Other options may be available.

Certain configurations may not be available. Consult the factory for more information.