

TECHNICAL INFORMATION BULLETIN

ELECTRONIC LINEAR FLUORESCENT BALLAST

INSTANT START T8

ORDERING INFORMATION

Order code: 61128
 Description: E232T8IS120-277/N/AS
 UPC: 69549611283
 Warranty: 5 years

GENERAL INFORMATION

Ballast type: Electronic
 Starting method: Instant Start
 Lamp connection: Parallel
 Input voltage: 120-277 V
 Input frequency: 50/60 HZ
 Max. case temp.: 90 °C
 Status: Active
 Safety approval: 61128



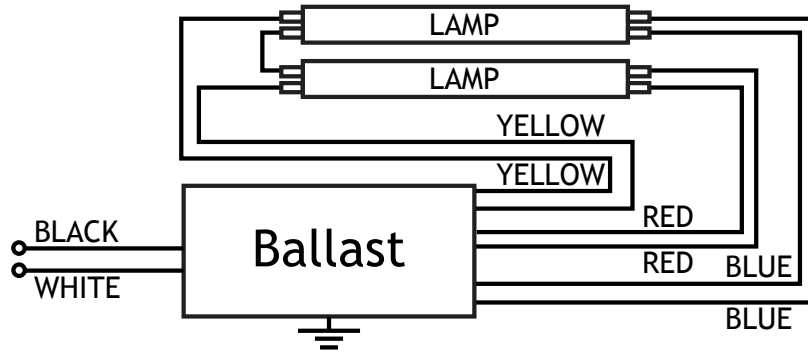
Lamp type	Number of lamps	Input voltage (V)	Input current (A)	Input power (W)	Power factor	Max THD %	Ballast factor	Min. start temp. (°F / °C)	Max. lamp current crest factor	B.E.F.
F32T8 32W	2	120/277	0.46/0.20	55/54	0.98	10	0.89	0/-18	1.7	1.59/1.60
F32T8 32W	1	120/277	0.30/0.13	35	0.98	10	1.05	0/-18	1.7	3.00
F32T8/ES 30W	2	120/277	0.43/0.19	51	0.98	10/15	0.89	0/-18	1.7	1.74/1.70
F32T8/ES 30W	1	120/277	0.28/0.12	33	0.98	10	1.05	0/-18	1.7	3.18
F32T8/ES 28W	2	120/277	0.41/0.18	49/47	0.98	10	0.89	0/-18	1.7	1.82/1.70
F32T8/ES 28W	1	120/277	0.26/0.11	31	0.98	10	1.05	0/-18	1.7	3.39
F32T8/ES 25W	2	120/277	0.39/0.17	44	0.98	10	0.89	0/-18	1.7	2.02
F32T8/ES 25W	1	120/277	0.23/0.10	27	0.98	10	1.05	0/-18	1.7	3.89
F25T8 25W	2	120/277	0.37/0.16	43	0.98	10	0.88	0/-18	1.7	2.05
F25T8 25W	1	120/277	0.23/0.10	28	0.98	10	1.05	0/-18	1.7	3.75
F17T8 17W	2	120/277	0.26/0.11	30	0.98	10	0.90	0/-18	1.7	3.00
F17T8 17W	1	120/277	0.17/0.08	19	0.98	10	1.06	0/-18	1.7	5.58
F40T8 40W	1	120/277	0.35/0.15	41	0.98	10	1.01	0/-18	1.7	2.46

TECHNICAL INFORMATION BULLETIN

ELECTRONIC LINEAR FLUORESCENT BALLAST

INSTANT START T8

WIRING DIAGRAM

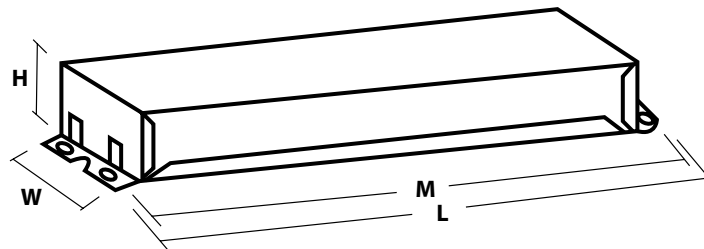


BALLAST FEATURES

	in.	cm
Length (L)	9.5	24.13
Width (W)	1.3	3.30
Height (H)	1.0	2.54
Mounting (M)	8.91	22.63
Weight	1.1 lbs	

LEAD LENGTHS

	in.	cm
Black	25.00	63.50
White	25.00	63.50
Red	31.00	78.74
Blue	31.00	78.74
Yellow	46.00	116.84



WARRANTY:

Ballast warranty of 5 years for electronic ballast 75 °C. Ballast warranty of 3 years for electronic ballast 90 °C. For more information visit our website.

Data is based upon tests performed in a controlled environment and representative of relative performance. Actual performance can vary depending on operating conditions. Specifications are subject to change without notice.



www.standardpro.com