

TECHNICAL INFORMATION BULLETIN ELECTRONIC LINEAR FLUORESCENT BALLAST INSTANT START T8

ORDERING INFORMATION

Order code: 61114
Description: E432T8IS120/N/AS
UPC: 69549611146
Warranty: 5 years

GENERAL INFORMATION

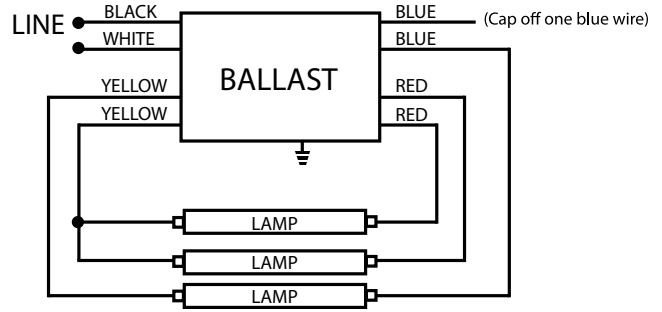
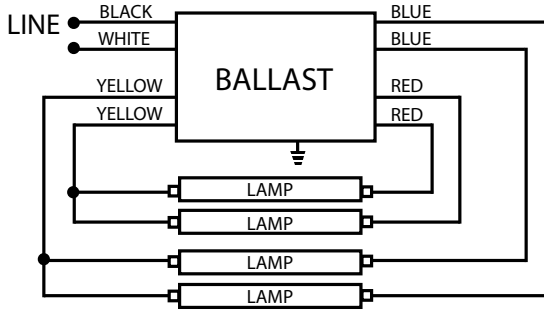
Ballast type: Electronic
Starting method: Instant Start
Lamp connection: Parallel
Input voltage: 120 V
Input frequency: 60 HZ
Max. case temp.: 75 °C
Status: Active
Safety approval: 61114



Lamp type	Number of lamps	Input voltage (V)	Input current (A)	Input power (W)	Power factor	Max THD %	Ballast factor	Min. start temp. (°F / °C)	Max. lamp current crest factor	B.E.F.
F32T8 32W	4	120	0.93	109	0.98	10	0.88	0/-18	1.7	0.81
F25T8 25W	4	120	0.74	89	0.98	10	0.94	0/-18	1.7	1.06
F17T8 17W	4	120	0.51	61	0.98	10	0.96	0/-18	1.7	1.57
F32T8/ES 25W	4	120	0.77	87	0.98	10	0.88	0/-18	1.7	1.01
F32T8/ES 28W	4	120	0.82	96	0.98	10	0.88	0/-18	1.7	0.92
F32T8/ES 30W	4	120	0.88	102	0.98	10	0.88	0/-18	1.7	0.86
F40T8 40W	3	120	0.93	112	0.98	10	0.88	0/-18	1.7	0.79
F32T8 32W	3	120	0.79	94	0.98	10	1.00	0/-18	1.7	1.06
F25T8 25W	3	120	0.62	74	0.98	10	1.04	0/-18	1.7	1.41
F32T8/ES 25W	3	120	0.63	70	0.98	10	0.97	0/-18	1.7	1.38
F32T8/ES 28W	3	120	0.68	79	0.98	10	0.97	0/-18	1.7	1.23
F32T8/ES 30W	3	120	0.73	84	0.98	10	0.97	0/-18	1.7	1.15

TECHNICAL INFORMATION BULLETIN ELECTRONIC LINEAR FLUORESCENT BALLAST INSTANT START T8

WIRING DIAGRAM

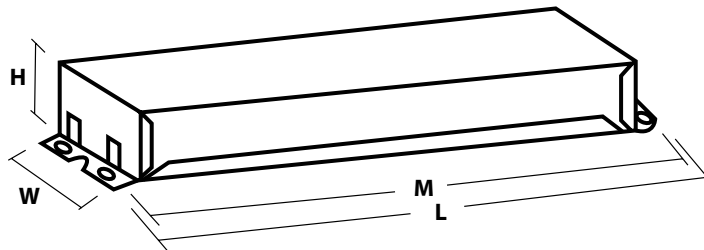


BALLAST FEATURES

	in.	cm
Length (L)	9.50	24.13
Width (W)	1.30	3.30
Height (H)	1.00	2.54
Mounting (M)	8.91	22.63

LEAD LENGTHS

	in.	cm
Black	25.00	63.50
White	25.00	63.50
Red	31.00	78.74
Blue	31.00	78.74
Yellow	46.00	116.84



WARRANTY:

Ballast warranty of 5 years for electronic ballast 75 °C. Ballast warranty of 3 years for electronic ballast 90 °C. For more information visit our website.

Data is based upon tests performed in a controlled environment and representative of relative performance. Actual performance can vary depending on operating conditions. Specifications are subject to change without notice.



www.standardpro.com