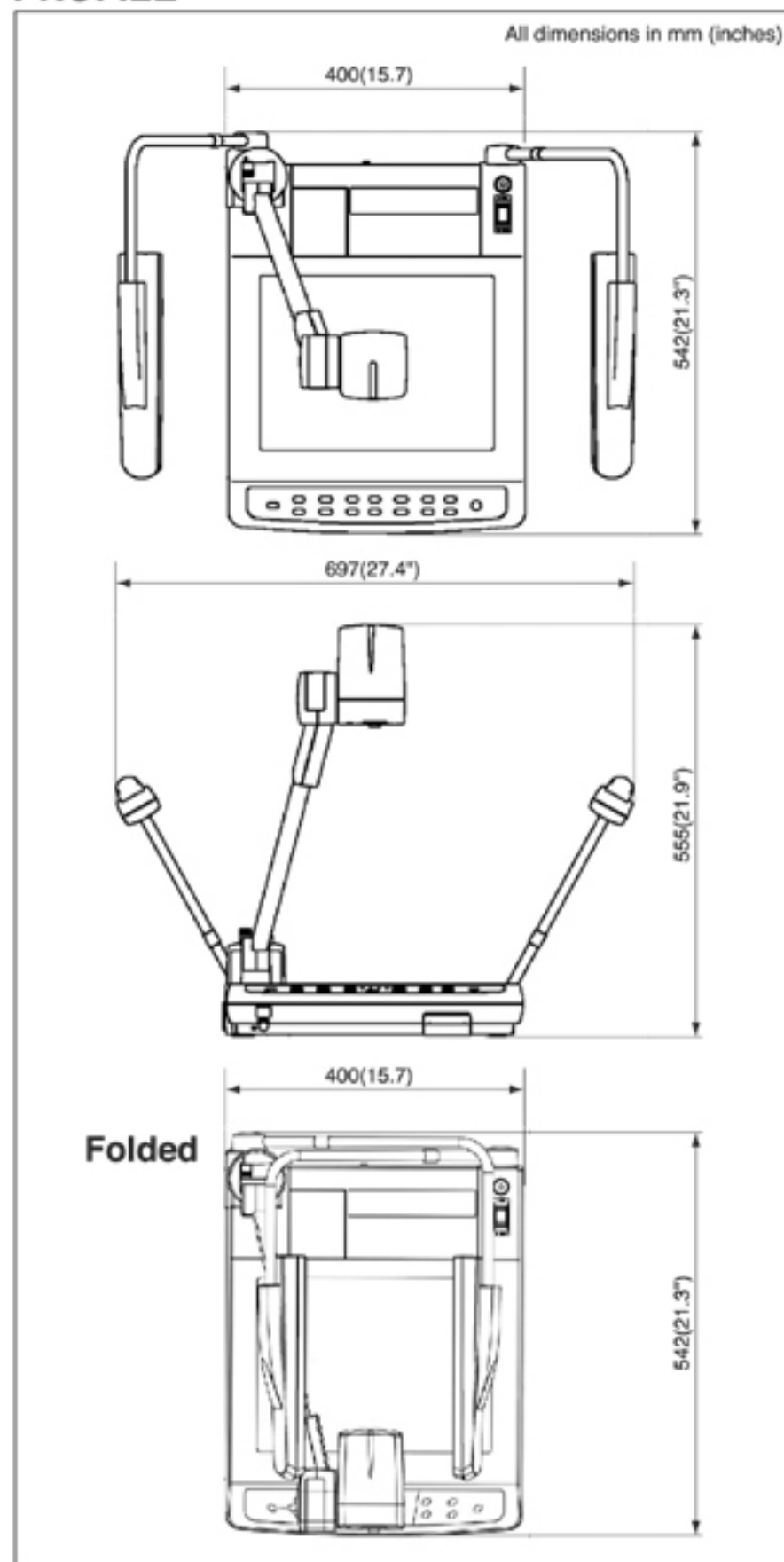


High-Resolution Visual Presenter HV-5100XG

SPECIFICATIONS

Camera	Image pick-up device	1/3" progressive scan CCD
	Effective pixels	1034(H)x779(V)
	Frame rate	20fps
	Resolution (TV lines)	
	RGB output (HxV)	600(H)x600(V)
Optics	Video output (H)	400 (H)
	Zooming	18x(Powered)
	Lens	F[2.8] f=4.7-84.6mm
	Shooting area	Max. 350x260mm(13.7x10.2") Min. 25x19mm(1.0x0.8")
	Focusing	Auto / Manual (Powered)
Function	Iris	Auto (with level adjustment) / Manual
	White balance	Full-auto / One-push / Manual
	Nega/Posi conversion	●
	Color/B&W selection	●
	Aperture enhancement	●
	Freeze(Pause) mode	●
	Electronic magnification	● (x2)
	Gamma adjustment	●
	OSD(on screen display)	●
	Image rotation	●
	Video pointer	●
	Down converter	●
	Image memory	● (x8)
	Scrolling	●
Input / Output	Input selection	Int./RGB1/RGB2
	Analog RGB output	XGA(1024x768,@60Hz)
	Video output	NTSC,PAL,Composite,S-video
	RGB input	●x2
	DC 12V output	●
	Mouse	●
	Output terminal : Analog RGB	Mini DSUB 15Pin connector
	Composite-video	RCA Pin jack
	S-video	Mini DIN 4Pin connector
PC interface	RS232-C	●
	USB	●
Lighting	Upper Lighting unit	●(6W fluorescent lamps x2)
	Baselight	●
Others	Carrying handle	●
	Wireless Remote Control	●
	Dimensions when Set-up	697(W)x542(D)x555(H) (27.4x21.3x21.9 in)
	Folded	400(W)x542(D)x181(H) (15.8x21.3x7.1in)
	Mass/Weight	9.8kg (21.6lbs)
	Power source	AC100-240V , 50/60Hz
	Rated current	0.8A-0.4A

PROFILE



NOTE: Design and specifications are subject to change without prior notice.
Dimensions and weight are approximate.

ELMO CO.,LTD.(Head Office and Factory)'s QMS/EMS has been registered to ISO 9001 & ISO 14001.